

# GARAGE DOOR OPENER SYSTEM REGISTRATION PROCEDURE

BE0L6-04

## 1. NEW CODE REGISTRATION

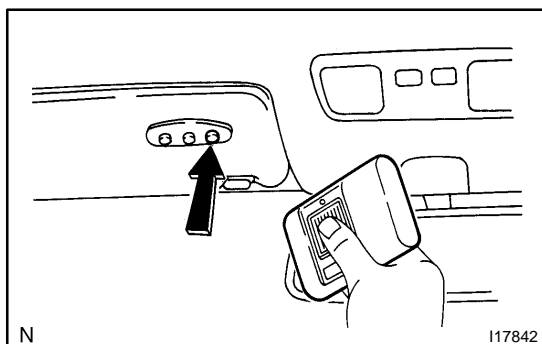
### NOTICE:

- If pressing the switch of the original transmitter to register the code, the system might operate.
- When registering the transmitter codes such as for garage or gate, check that there is nobody around those places then register.

- (a) Press the switch for the item to be registered for 20 seconds

### HINT:

When transferring to registration mode, LED (red) blinks in 1 Hz cycle.

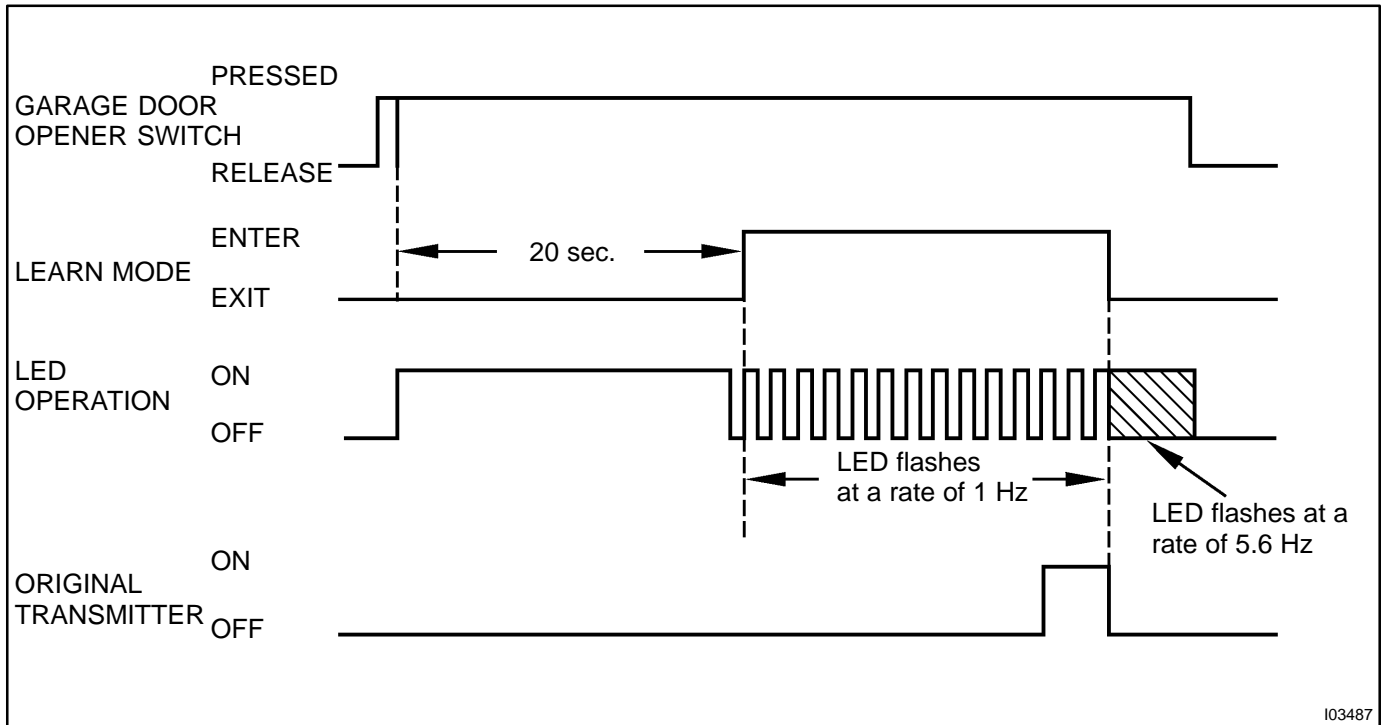


- (b) In the condition of (a), bring the original transmitter to within 1-inch area around the garage door opener and press the switch. (code transmitting).

### HINT:

When code registration completes correctly, LED (red) blinks in 5.6 Hz cycle.

**New code registration timing chart**



I03487

If a code can not be registered, observe the following conditions.

HINT:

- If the battery of original transmitter is consumed.
- Press the switch of the transmitter repeatedly in registration mode, as some transmitters stop transmitting for 1 to 2 seconds.
- This system is not applicable to the garage door opener which had been made before 1982.

**2. CODE DELETION**

(a) Press the switches at both ends of garage door opener simultaneously for 20 seconds.

HINT:

When transferring to deletion mode, LED (red) blinks in 6 Hz cycle.

(b) When releasing the switch within 10 seconds after transferring to deletion mode, all the registered codes will be erased.

HINT:

Press the switch until blinking in 6 Hz cycle stops, so that the default code for check is set.

Code deletion timing chart

