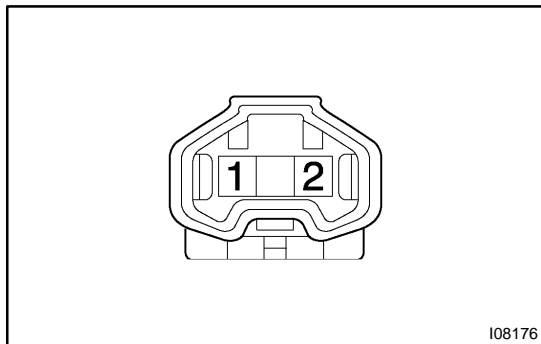


INSPECTION

1. INSPECT STOP LIGHT SWITCH CONTINUITY

Switch position	Tester connection	Specified condition
Switch pin pushed in (Pedal released)	1 - 2	Continuity
Switch pin free (Pedal depressed)	1 - 2	No continuity
Switch pin free (Pedal depressed)	3 - 4	Continuity
Switch pin pushed in (Pedal released)	3 - 4	No continuity

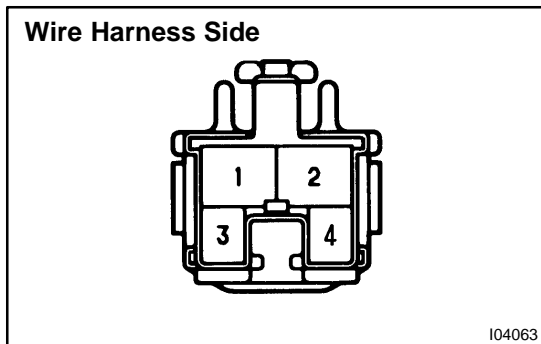
If continuity is not as specified, replace the switch.



2. w/ Spoiler: INSPECT HI-MOUNTED STOP LIGHT ASSEMBLY CONTINUITY

Using the ohmmeter, check that continuity exists between terminals.

If continuity is not as specified, replace the bulb or light assembly.



3. INSPECT STOP LIGHT SWITCH CIRCUIT (See page [DI-830](#))

Disconnect the connector from the switch and inspect the connector on the wire harness side, as shown.

Tester connection	Condition	Specified condition
2 - Ground	Always	Battery Positive Voltage

If circuit is not as specified, inspect the power source or wire harness.